



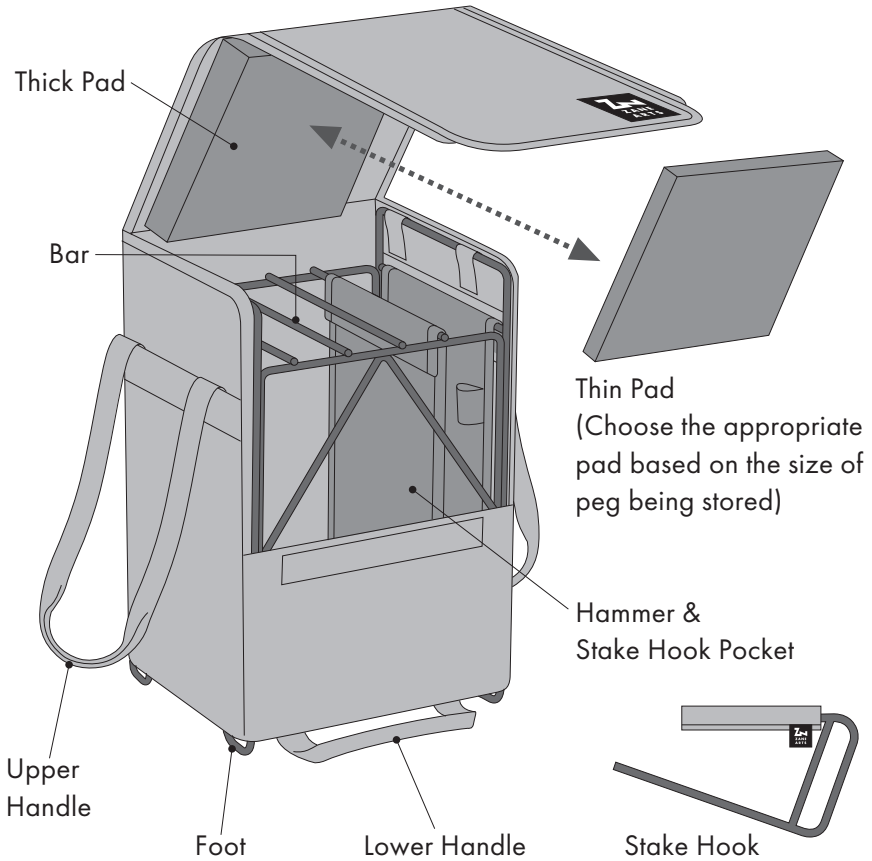
BG-005 / GRART STAKE RACK

MANUAL - Ver 1.01

EN

Please be sure to read the manual before using this product. If you have any questions or if there is a problem with the product, please contact the store where you purchased the product or ZANE ARTS directly.

■ PARTS



■ ABOUT THIS PRODUCT

Please familiarize yourself with this product before using.

May be deformed when dropped.

If dropped when full and heavy, the metal frame may become disfigured. Please use extra care when unloading from a vehicle.



■ HANDLING PRECAUTIONS

Please be sure to follow the instructions below to avoid the risk of injury to one's self and bystanders, as well as damage to property.



**UNDER THE FOLLOWING CONDITIONS,
RISK OF MINOR INJURY AND DAMAGE TO
PROPERTY MAY OCCUR.**

DANGER

- Always carry the rack by both upper handles. Never carry by a single upper handle or the lower handle. This is dangerous and will damage the case and may cause pegs to fall out.
- Do not drag by handles. The handles may tear and possibly damage the case.
- When transporting by vehicle, lay the rack on its side (see instructions).
- When transporting by vehicle, be sure to put the rack in a safe and secure place to prevent contents from falling out.

- Very heavy when loaded with pegs. Please be very careful not to drop on feet and cause injury. Also, if dropped on the ground the metal frame may become disfigured or even break.
- Please be aware that the metal feet may scratch or damage flooring when stored.
- Flammable. Keep away from open flame.
- This material will deteriorate in UV light. Keep out of direct sunlight as much as possible.
- White spots may be seen on the surface of the material before being used or when folded or rubbed. Please note that this is common with PVC treated materials and does not affect the products' performance.
- The frame is made of steel. Over time, it may lose its paint and may rust, but its performance will not be affected.
- The end of the Stake Hook is pointed. Be careful not to swing it or point it at people.
- Do not use if any part is broken.
- Do not let small children use this product.

- After each use, wipe off any moisture and dry thoroughly before storing. If stored wet or dirty the product may become smelly or moldy and may be damaged by corrosion.
- Store out of reach of infants and children.
- Do not modify this product as it may impair its performance.

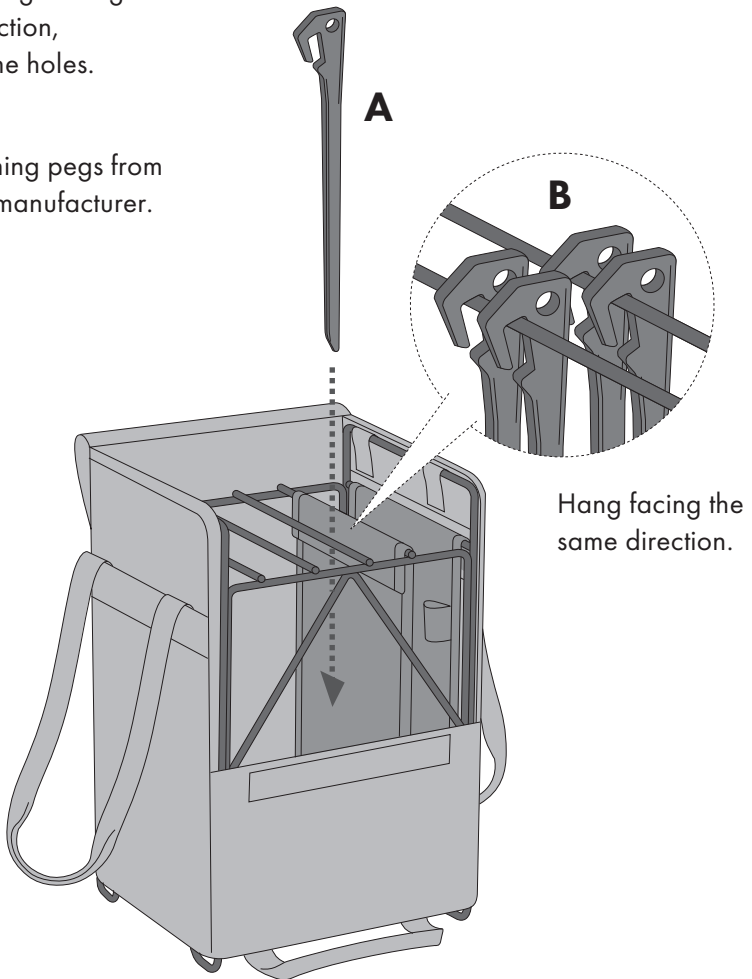
■ USE

1 -1 HANGING PEGS ON THE RACK

A: Hang the pegs on the bars.

B: Hang all pegs facing the same direction, aligning the holes.

※ Use matching pegs from the same manufacturer.



1 -1 HANGING PEGS ON THE RACK

Store the pegs with space at the end of each row.
Pegs stored too tightly will be difficult to remove.

【Number of pegs that can be stored on each bar】

- Grart Stake 28: 16 pegs
- Grart Stake 18: 20 pegs

Leave space for easy removal.

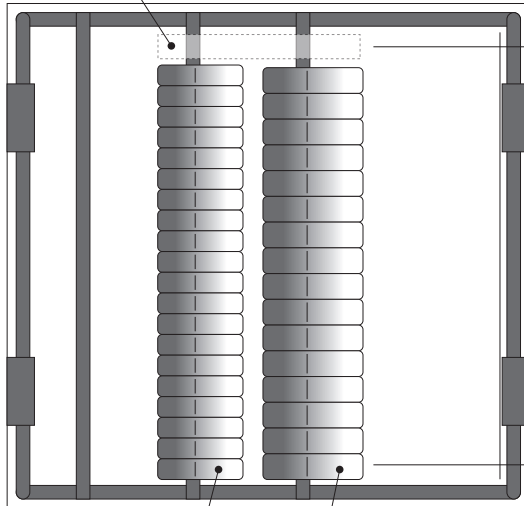


Image from above

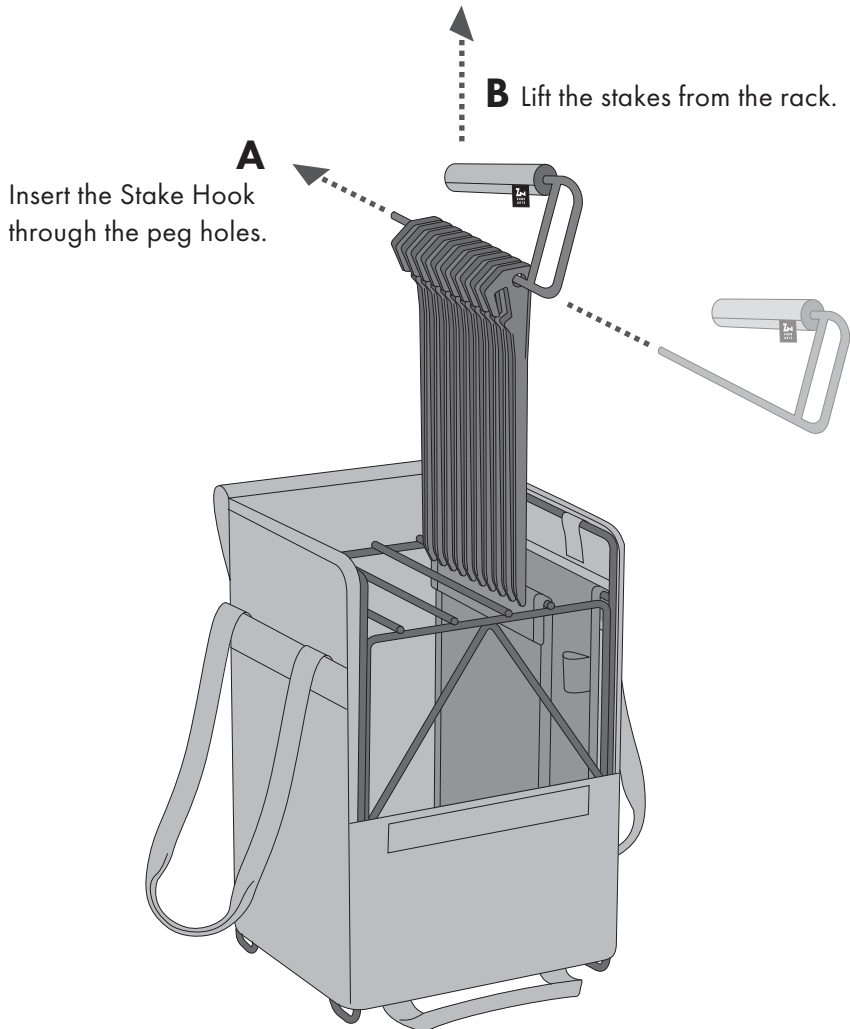
Grart Stake 28: 16 pegs

Grart Stake 18: 20 pegs

2 REMOVING THE STAKES

A: Insert the Stake Hook through the peg holes.

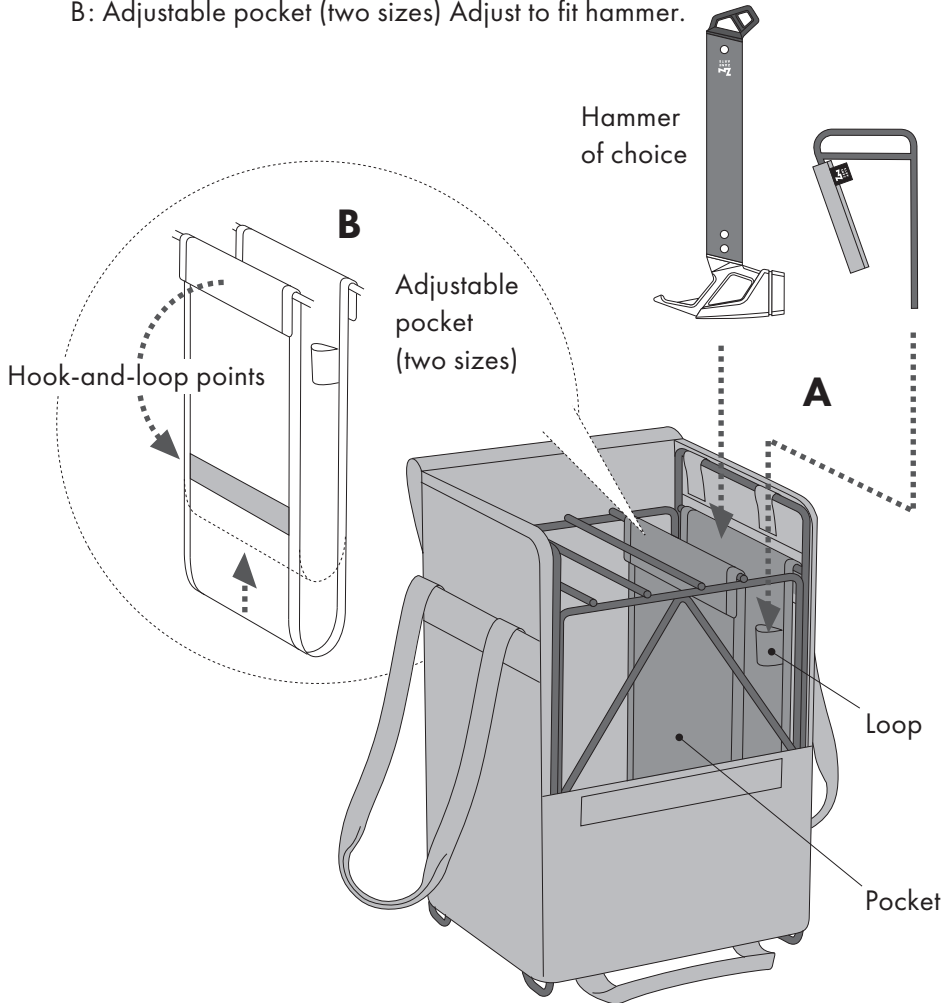
B: Lift the stakes from the rack.



3 STORING THE STAKE HOOK AND A HAMMER IN THE POCKET

A: Store the Stake Hook and a hammer in the pocket.
The Stake Hook fits inside the loop inside the pocket.

B: Adjustable pocket (two sizes) Adjust to fit hammer.

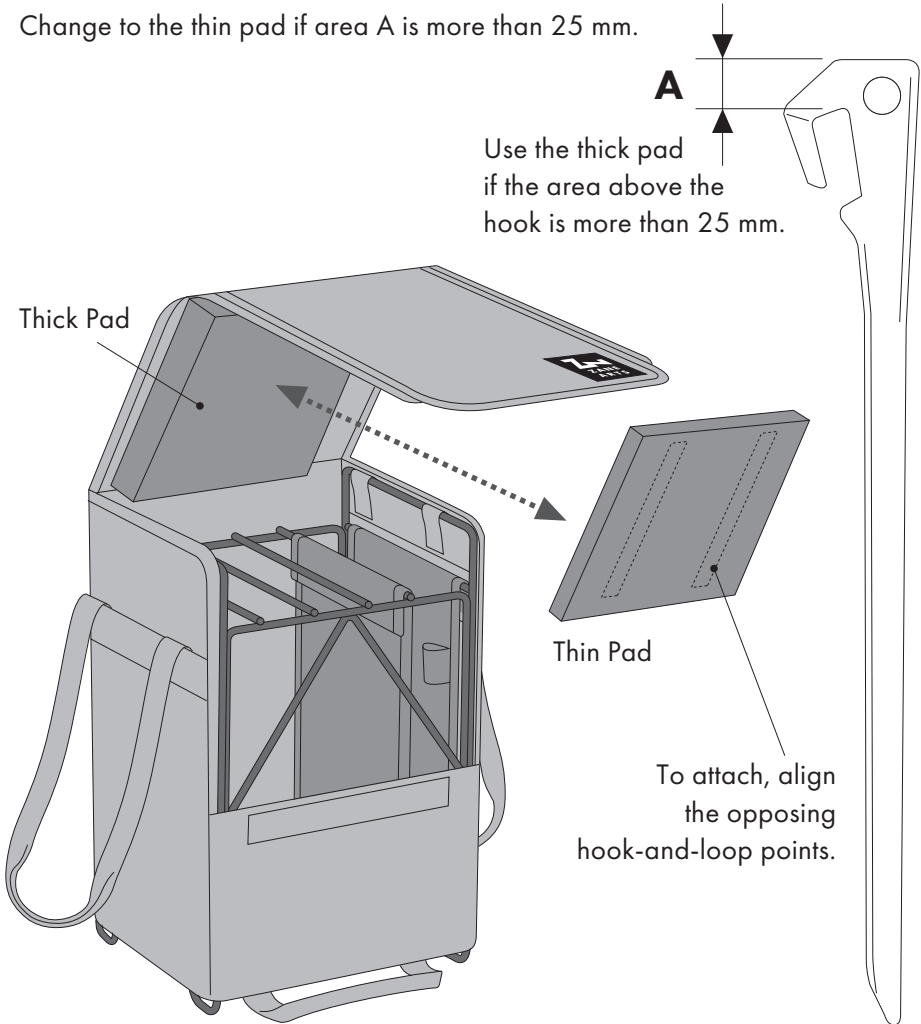


4 USE PADS BASED ON THE SIZE OF PEGS BEING STORED.

Use the thick pad when using ZANE ARTS Grart Stakes.

When using other brands refer to diagram A.

Change to the thin pad if area A is more than 25 mm.

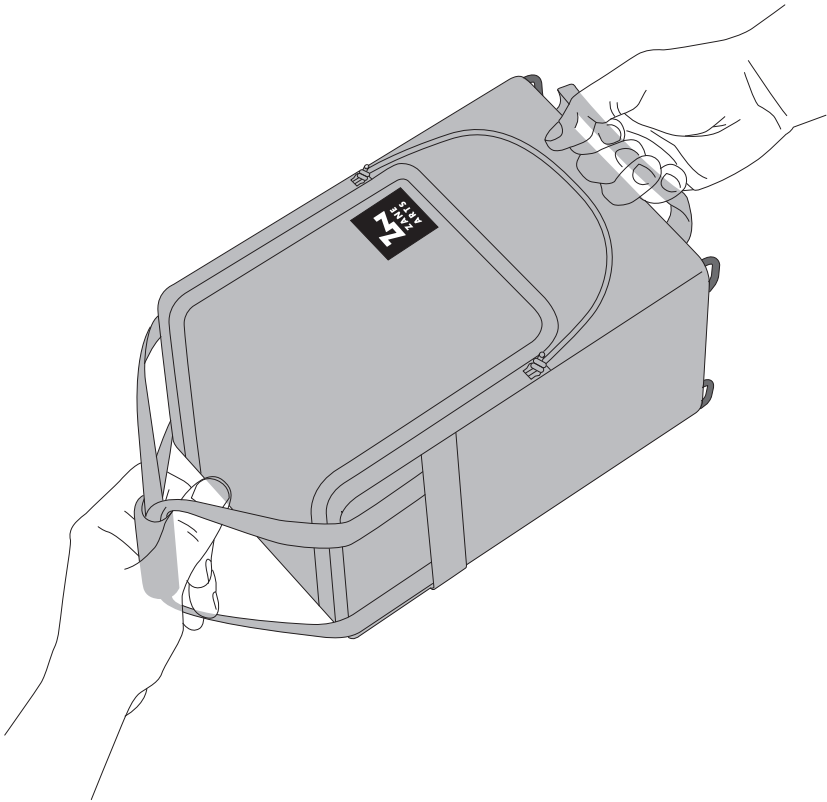


5 LAY FLAT FOR TRANSPORT

When transporting by vehicle, always lay on its side.

(Laying the rack flat helps reduce the noise of the pegs vibrating during transport, and also keeps the pegs from falling out.)

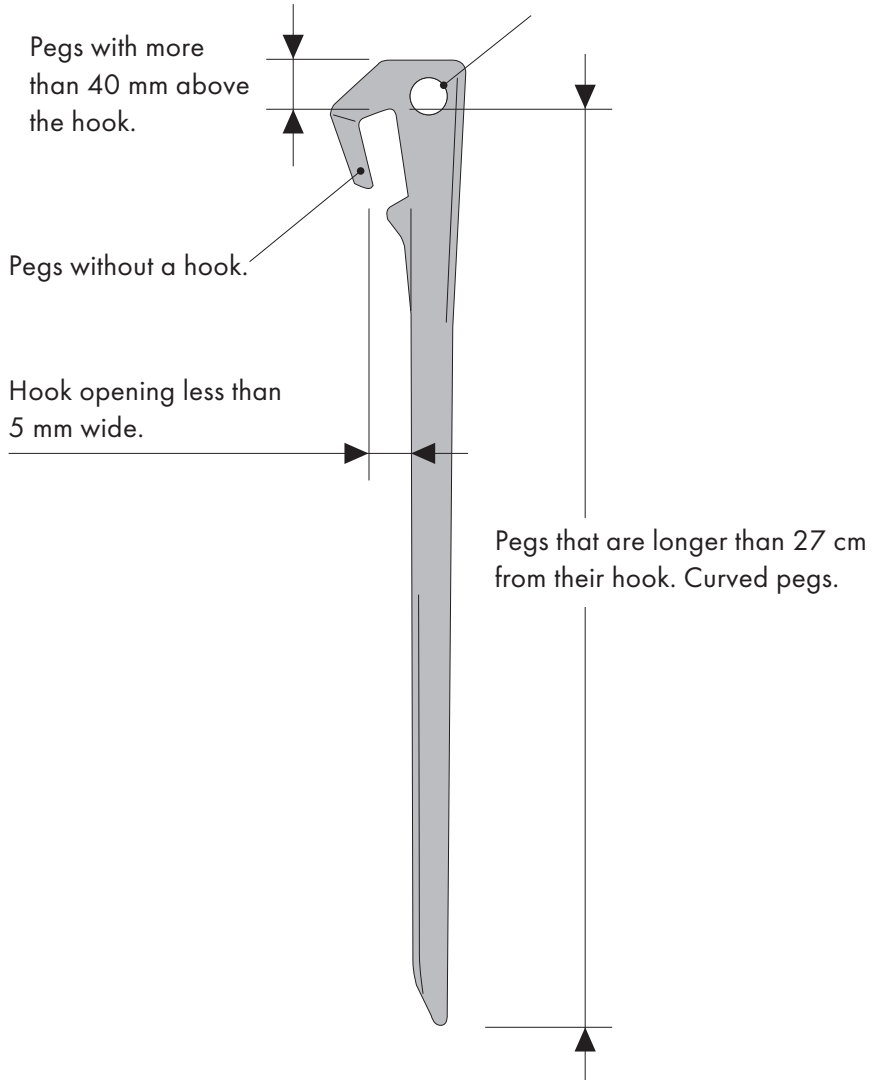
Be careful not to drop when using.



6 INCOMPATIBLE PEGS

The following pegs are not compatible.

Pegs that do not have a hole or with a hole smaller than 7 mm.



■ WARRANTY AND REPAIR

If you find any defects in the product, please contact the store where you purchased it or us directly. We will replace or repair any item found to have a manufacturing defect free of charge. We will repair products with damage caused by wear and aging at a reasonable price. Please note that it may be difficult to obtain some materials due to the discontinuation of products and parts, and repairs may not be possible based on the condition of the product.

※ When sending a product for repair, please remove dirt and moisture from the product before sending it. Moisture and dirt may interfere with repairs. Items that are not clean and dry upon arrival for repair will incur additional charges at their own expense for cleaning. Thank you for your understanding.

ZANE ARTS, Inc.

7190-2 Shimauchi, Matsumoto, Nagano 390-0851

Phone: 0263-87-2955 FAX: 0263-87-2966

info@zanearts.com