



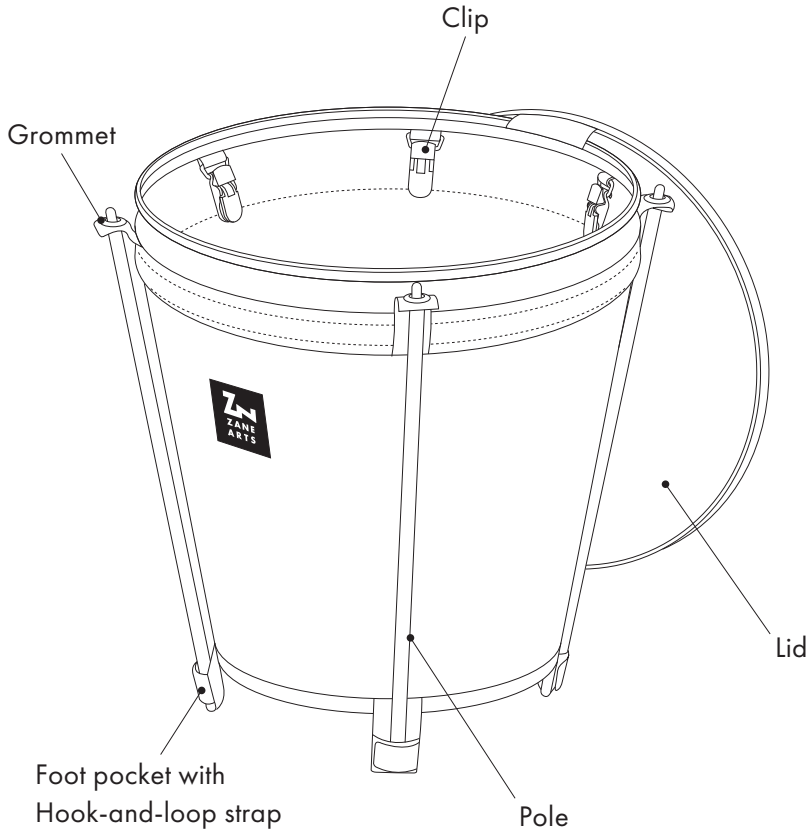
BG-015 / MOBI BOX

MANUAL - Ver 1.01

EN

Please be sure to read the manual before using this product. If you have any questions or if there is a problem with the product, please contact the store where you purchased the product or ZANE ARTS directly.

## ■ PARTS



## ■ ABOUT THIS PRODUCT

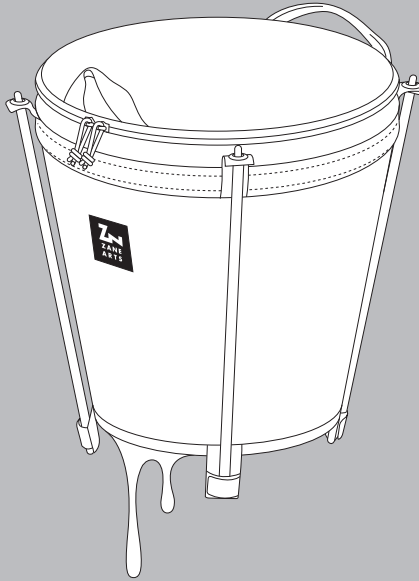
Please familiarize yourself with this product before using.

---

Always use with a plastic garbage bag.

---

Although the fabric is waterproof, the seams are not sealed. If wet garbage is thrown away without the use of a plastic bag, liquids will leak.



**Not waterproof.**

## ■ HANDLING PRECAUTIONS

Please be sure to follow the instructions below to avoid the risk of injury to one's self and bystanders, as well as damage to property.



---

**UNDER THE FOLLOWING CONDITIONS,  
RISK OF MINOR INJURY AND DAMAGE TO  
PROPERTY MAY OCCUR.**

---

### **DANGER**

- This product is a garbage can for camping.  
Do not use in undesignated ways.
- This product is not waterproof. Please follow the instructions and always use with a plastic bag inside. If wet garbage is thrown away without the use of a plastic bag, liquids will leak.
- Do not place sharp or heavy objects inside.  
This may cause damage.
- Do not place objects on top, this may cause damage. Be especially careful when transporting in a vehicle while assembled.

- This material will deteriorate in UV light. Keep out of direct sunlight as much as possible. Do not use outside permanently, or for extended periods of time.
- Flammable. Keep away from open flame.
- White spots may be seen on the surface of the material before being used or when folded or rubbed. Please note that this is common with PVC treated materials and does not affect the products' performance.
- Do not allow small children to use this product.
- After each use, wipe off any moisture and dry thoroughly before storing. If stored wet or dirty the product may be damaged by corrosion.
- Store out of reach of infants and children.
- Do not modify this product as it may impair its performance.

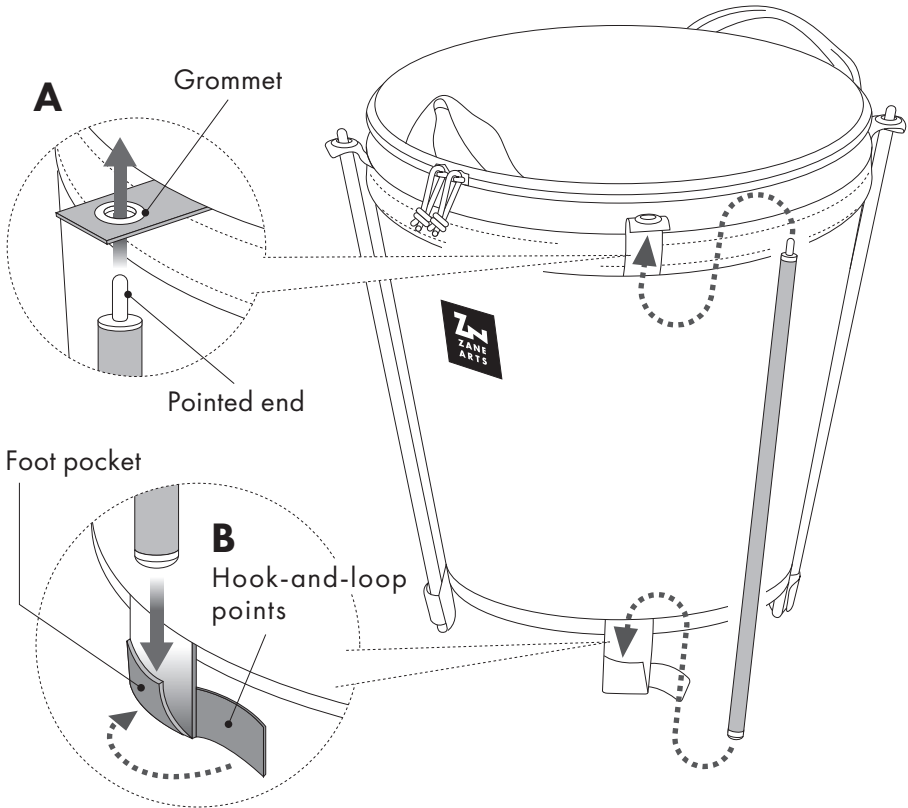
## ■ SET UP • USE

### 1 INSTALLING THE POLES

A: Assemble the pole. Insert the pointed end into the grommet at the top of the main unit.

B: Insert the opposite end of pole into the foot pocket and secure with the hook-and-loop strap.

※Repeat with all four poles.



## 2 ATTACHING A PLASTIC BAG

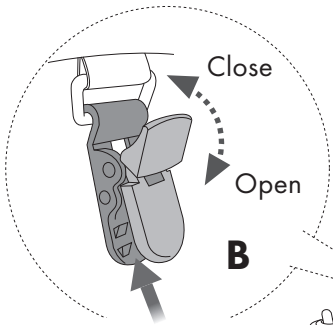
A: Take a 20 L bag and roll the top down to fit.

(The portion rolled down will later be used to tie the bag)

B: Insert bag into unit, use clips to secure in place.

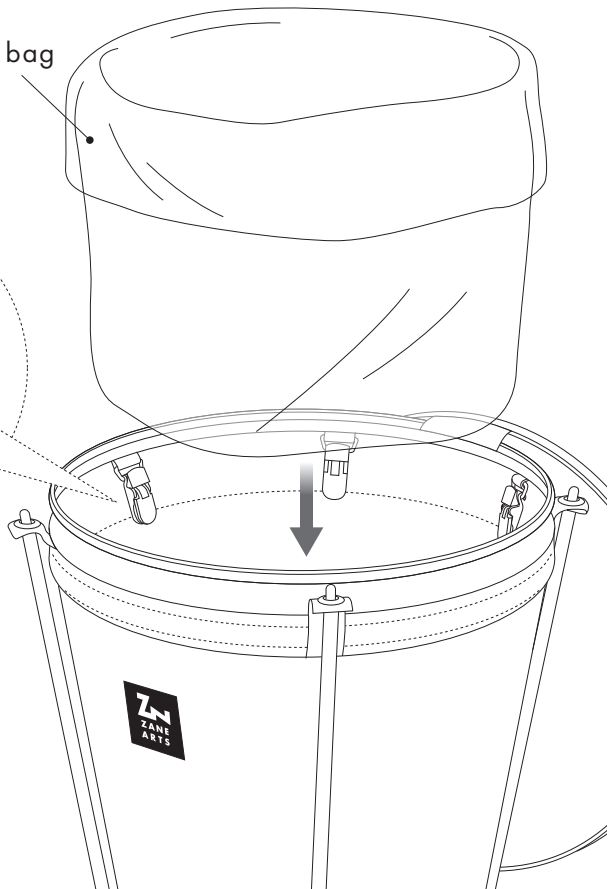
**A**

Roll down the  
top of the plastic bag



**B**

Clip the edge of  
the bag



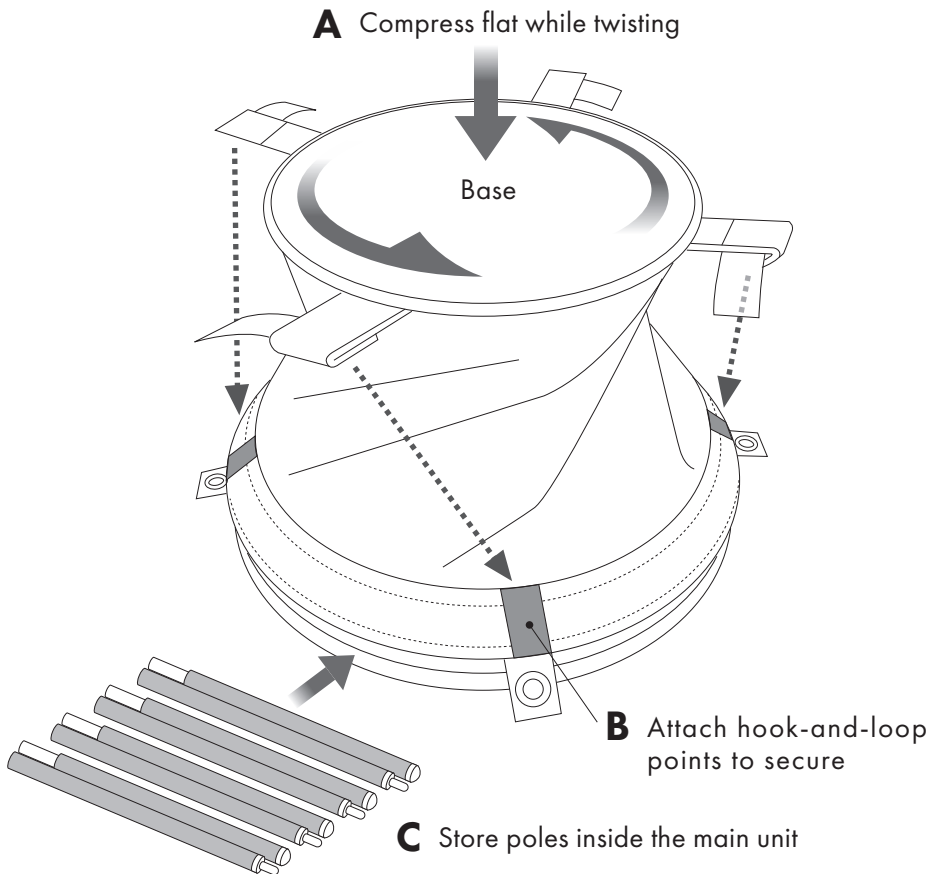
### 3 STORAGE

A: Remove all four poles and turn unit upside-down.

Compress flat while twisting the base 90°.

B: Attach the hook-and-loop points located near the foot pockets and grommets to secure.

C: Collapse all four poles and store inside the main unit.





## ■ WARRANTY AND REPAIR

If you find any defects in the product, please contact the store where you purchased it or us directly. We will replace or repair any item found to have a manufacturing defect free of charge. We will repair products with damage caused by wear and aging at a reasonable price. Please note that it may be difficult to obtain some materials due to the discontinuation of products and parts, and repairs may not be possible based on the condition of the product.

※ When sending a product for repair, please remove dirt and moisture from the product before sending it. Moisture and dirt may interfere with repairs. Items that are not clean and dry upon arrival for repair will incur additional charges at their own expense for cleaning. Thank you for your understanding.

ZANE ARTS, Inc.

7190-2 Shimauchi, Matsumoto, Nagano 390-0851

Phone: 0263-87-2955 FAX: 0263-87-2966

info@zanearts.com