



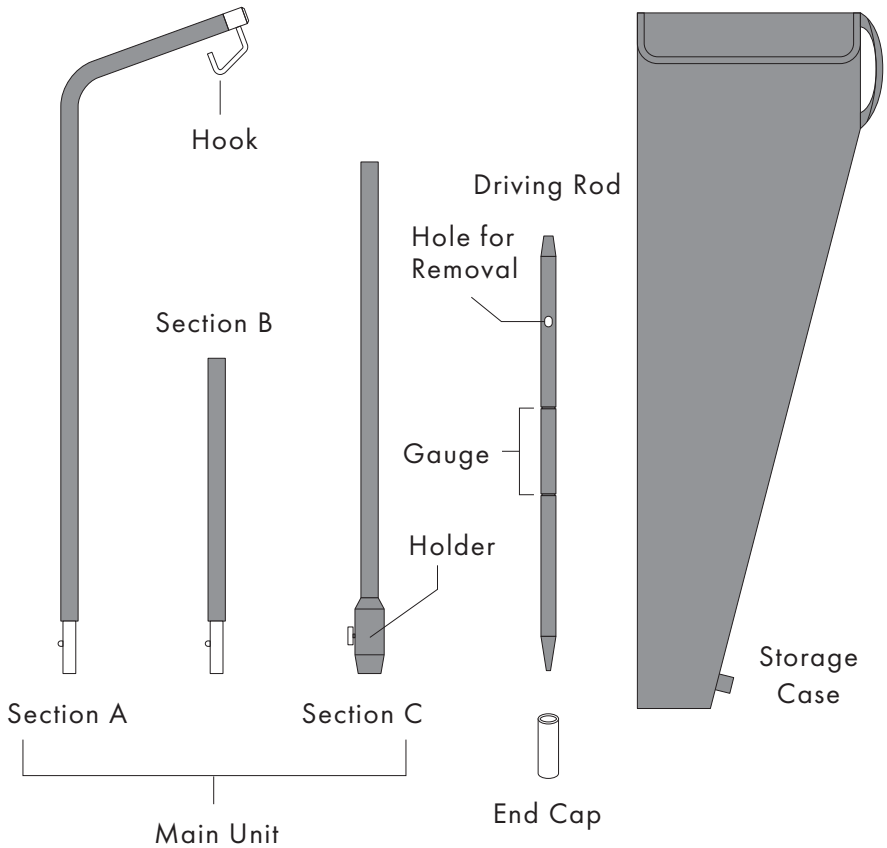
LT-201 / OZ HANGER

MANUAL - Ver 1.02

EN

Please be sure to read the manual before using this product. If you have any questions or if there is a problem with the product, please contact the store where you purchased the product or us directly.

■ CONTENTS / PART NAMES

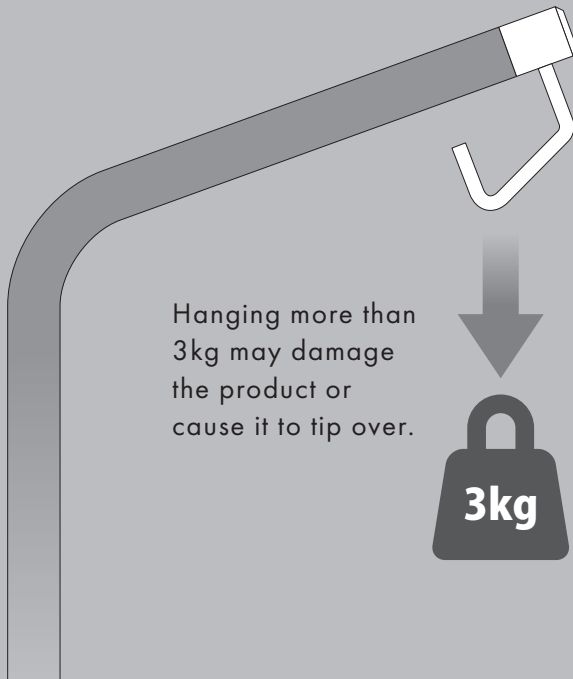


■ ABOUT THIS PRODUCT

Please take some time to understand the characteristics of this product before using it.

Maximum Load 3kg

The maximum load capacity is 3kg. For fuel-burning lanterns, such as gas or kerosene, the lantern should weigh 3 kg or less with fuel.



■ HANDLING PRECAUTIONS

Be sure to read and understand the following contents before use to prevent harm to the user and others, and damage to property.



DANGER

**INDICATES CONTENT THAT MAY RESULT
IN DEATH OR SERIOUS INJURY.**

- High risk of fire. Never use gas, gasoline, or kerosene lanterns under or near flammable objects such as tents, shelters, tarps, and trees.
- When using this product with gas lanterns, please take extra precaution not to move the hanger. The gas lantern may become damaged by moving, causing fuel to leak and the risk of fire.
- The end of the rod is sharp. Never point it towards another person.

- The maximum load capacity is 3kg. Be sure your gas or kerosene lantern weighs 3kg or less with fuel.
- Do not use this product in places where the ground is too loose or too hard to properly secure the driving rod.
- Do not use in rainy or high wind conditions. The hanger may fall over in windy conditions or if the ground is loose due to heavy rainfall.
- Please install this product upright. A lantern is more likely to fall when the hanger is crooked.
- Before hanging a lantern, please make sure the button lock in each section is secure and the holder's lock screw is tight.
- Remove the lantern when sleeping or when away.
- Please remove your lantern from the hanger before pumping, refueling, or replacing a cartridge.
- Inspect the connecting parts after each use. If any abnormality is found in the product immediately stop using.



**INDICATES CONTENT THAT MAY CAUSE
INJURIES OR PROPERTY DAMAGE.**

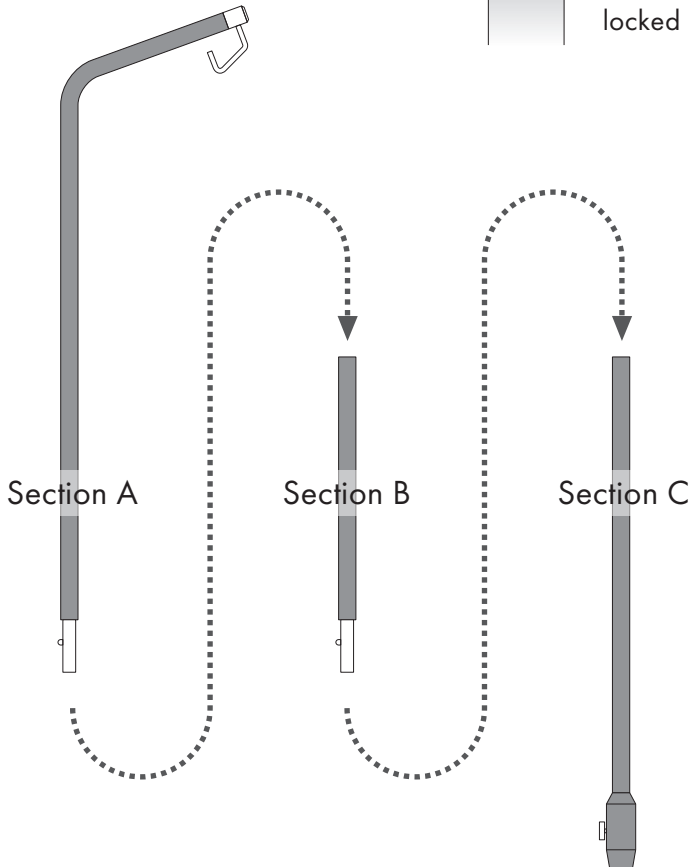
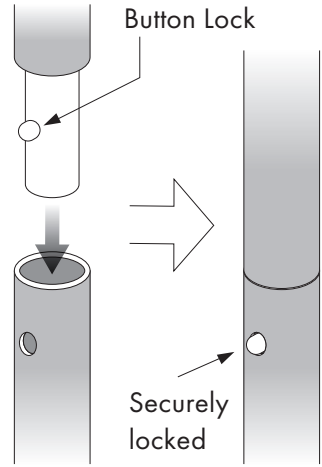
WARNING

- This product is for temporary outdoor use only. Do not install permanently or use in undesignated ways.
- After attaching the main unit to the driving rod, never attempt to correct the angle of the driving rod by leveraging the hanger. This may damage the hanger.
- After each use, wipe off any moisture and dry thoroughly before storing. If stored wet or uncleaned the product may corrode.
- Salt accelerates corrosion. When used near the ocean always wash with fresh water and dry thoroughly before storing.
- When storing the driving rod, always cover the pointed end with its end cap.
- Please keep out of reach of infants and children.
- Do not modify this product, it may impair its performance.

■ SETUP PROCEDURES

1 MAIN UNIT ASSEMBLY

Lock sections A, B and C with button locks.
The hanger can also be used at a lower height by removing section B.



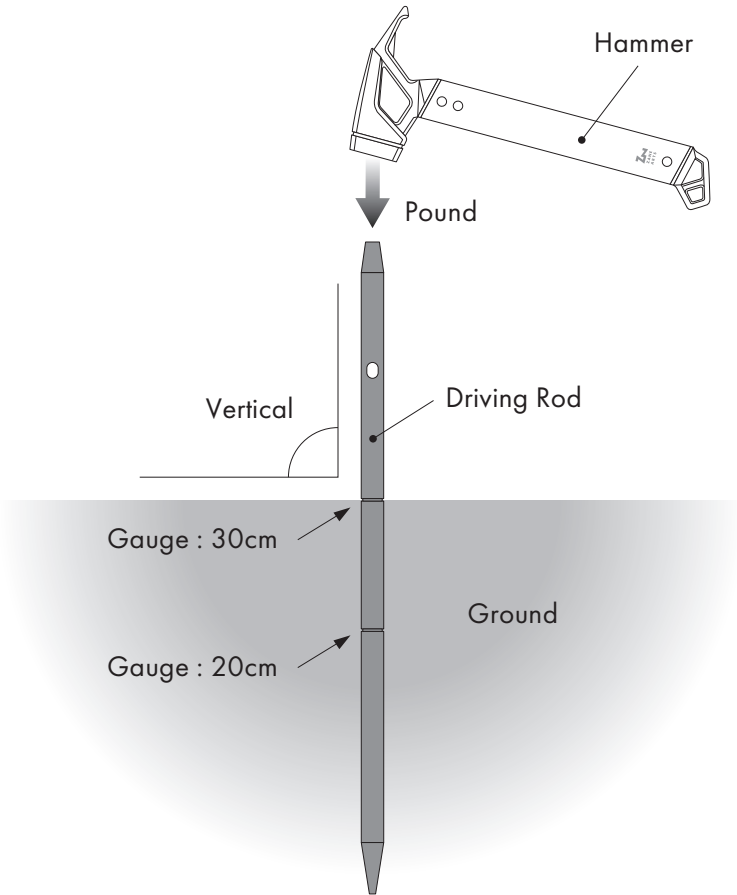
2 DRIVE RODE INTO GROUND

Use a hammer to vertically drive the rod into the ground.

Using the gauge line, drive the rod up to the 30 cm gauge line.

If the ground is too hard to reach 30 cm, 20 cm to as a guide.

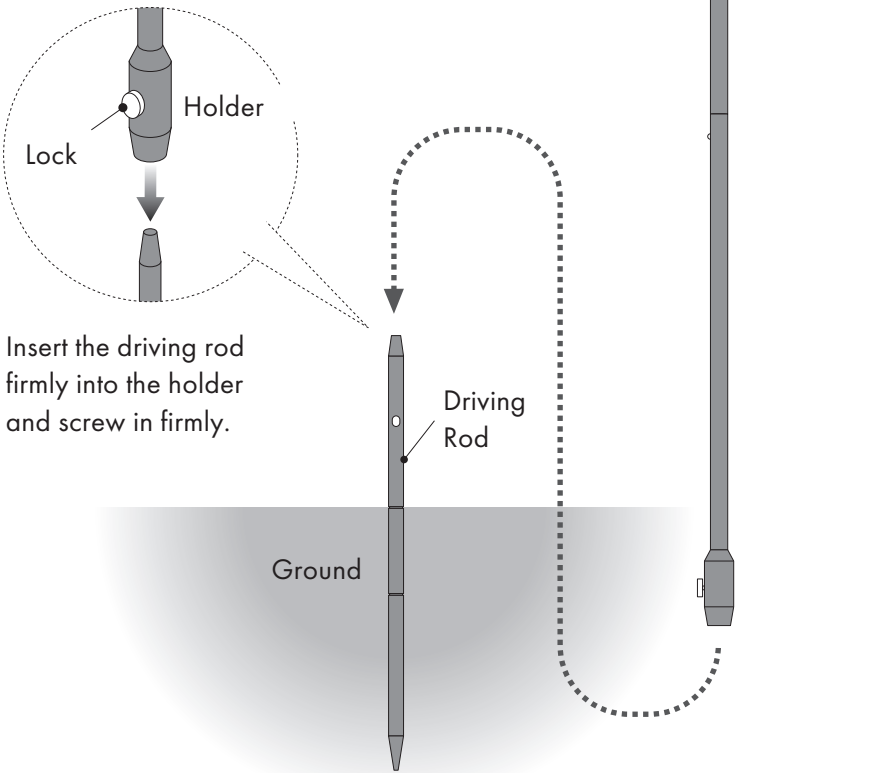
After driving, make sure that the driving rod is secure.



3 ATTACHING THE HANGER TO THE DRIVING ROD

Attach hanger to driving rod by sliding into place, tighten lock screw.

※After attaching the main unit to the driving rod, never attempt to correct the angle of the driving rod by leveraging the hanger. This may damage the hanger.

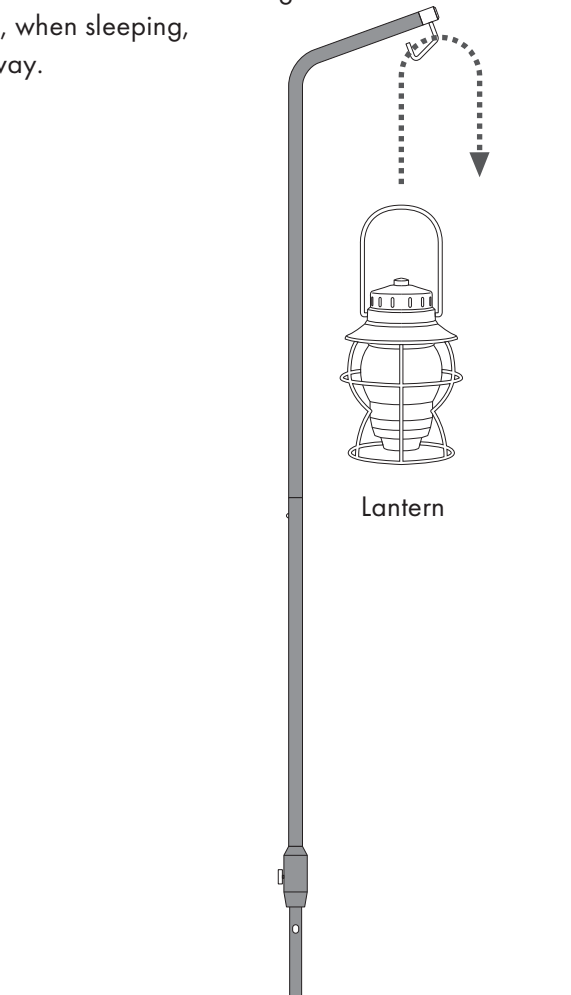


4 HANG A LANTERN

Hang a lantern on the hook

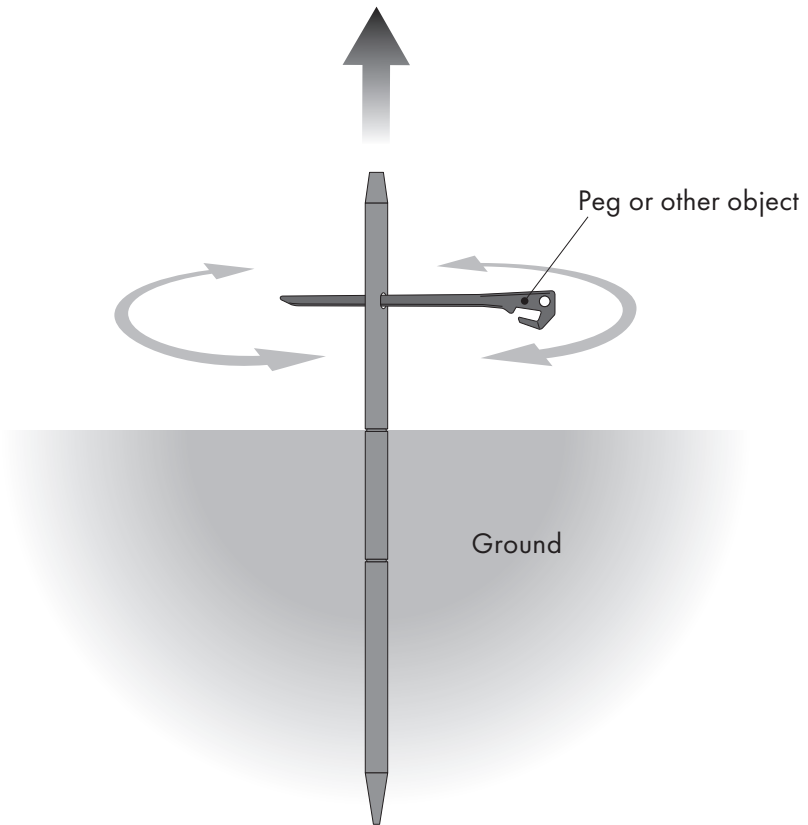
The maximum load capacity is 3kg (for fuel-burning lanterns, such as gas or kerosene, the lantern should weigh 3kg or less with fuel).

Always remove lanterns from the hanger in high winds, when sleeping, and when away.



■ REMOVAL

If the driving rod is difficult to remove, insert a peg or other object into the hole in the driving rod, rotate back and forth and pull to remove.



■ WARRANTY AND REPAIR

If you find any defects in the product, please contact the store where you purchased it or us directly. We will replace or repair any item found to have a manufacturing defect free of charge. We will repair products with damage caused by wear and aging at a reasonable price. Please note that it may be difficult to obtain some materials due to the discontinuation of products and parts, and repairs may not be possible based on the condition of the product.

※ When sending a product for repair, please remove dirt and moisture from the product before sending it. Moisture and dirt may interfere with repairs. Items that are not clean and dry upon arrival for repair will incur additional charges at their own expense for cleaning. Thank you for your understanding.

ZANE ARTS, Inc.

7190-2 Shimauchi, Matsumoto, Nagano 390-0851

info@zanearts.com