



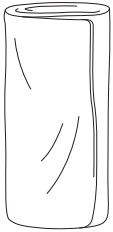
DT-004 / ROGA-4

MANUAL - Ver 1.02

EN

■ ITEMS INCLUDED

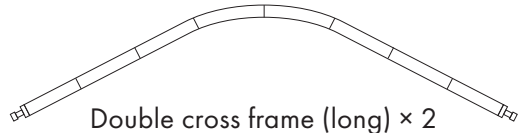
Please check the contents of the set before fully opening the tent. If you find something missing, please contact the store where you purchased it or us directly.



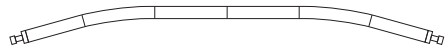
Fly Sheet
× 1



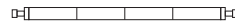
Inner Tent
× 1



Double cross frame (long) × 2



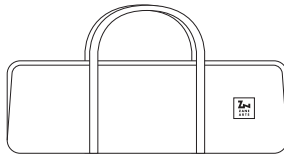
Double cross frame (short) × 2



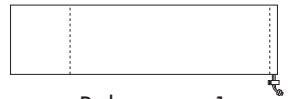
Bridge frame × 2



Footprint
× 1



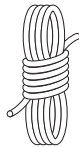
Carry bag × 1



Pole case × 1



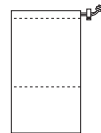
Vpeg
× 24



2.5m Rope
× 12



Repair pipe
× 1



Peg · Rope case
× 1

※ We recommend preparing spare (commercially available) pegs and extra rope in case of unforeseen circumstances.

■ ABOUT THIS PRODUCT

Please take some time to understand the characteristics of this product before using it.

Use of a wood stove is absolutely prohibited.

Chemically treated fibers are used in the fabric of this product. Chemically treated fibers may liquefy when burned, the liquefied fabric may stick to skin and cause serious burns. Never bring fire close to tents, shelters or tarps.

Wrinkles caused by folding are noticeable

Commonly used chemically treated fibers used in tents, shelters and tarps are prone to creases. In particular, the fabric in this product has noticeable wrinkles due to the color, thickness, and surface processing of fabric. Please note that it does not affect performance in any way.

Waterproofing performance is reduced

The surface is treated with silicone water repellent, but after use, the water repellent performance will deteriorate and rain will eventually penetrate the fabric. Please note that the water repellency cannot be maintained long term. Waterproof performance of the back side is not affected, so even if water repellency deteriorates, there is no issue using it as it is.

Discoloration of seam tape

Please note that the seam tape will gradually discolor, but this will not affect the performance of the product.

Thoroughly dry and store

If tent is stored while wet, the polyurethane coating on the back of the fabric will react with the moisture and may decompose or peel off, causing the seam tape to come off and diminish its waterproofness. After using, dry thoroughly and store away from hot or humid places. Be extra careful to wipe any moisture from the seams.

For 3 seasons of use

This product is not designed to withstand snowfall or low temperatures. Do not use in low temperatures where the zippers may freeze or in snow.

Do not remove the fire prohibition tag

Do not cut or remove the fire-prohibited tag sewn into the product. Products without a fire-prohibited tag cannot be guaranteed or repaired.

■ PRECAUTIONS FOR SETUP AND USE

Be sure to read and understand the following contents before use to prevent harm to the user and others, and damage to property.



DANGER

**INDICATES CONTENT THAT MAY RESULT
IN DEATH OR SERIOUS INJURY.**

- Fire is not allowed in tents, shelters, and tarps. It is extremely dangerous as there is a risk of fire, oxygen deficiency, carbon monoxide poisoning, etc. Do not use firearms and keep fire away from tents, shelters, and tarps.
- If the weather is bad, such as a typhoon or storm, or if you anticipate such weather, stop camping immediately.
- Do not set up in a place that is easily affected by wind or where there is a risk of falling rocks, avalanches, or rising water.



**INDICATES CONTENT THAT MAY CAUSE
INJURIES OR PROPERTY DAMAGE.**

WARNING

- Not for permanent use. If this product is set up permanently, it will deteriorate and be damaged in a short period of time due to the effects of ultraviolet rays and other elements.
- Set up on a flat surface with good drainage. Moisture and dirt can lead to deterioration, and rough terrain can lead to damage to product.
- Remove any items that may damage the product, such as rocks and branches, before setting up.
- When setting up the product, be sure to have two or more people, and pay attention to surroundings.
- Do not set up when the wind is strong. The main body may blow away or product may be damaged by the force of the wind.
- When setting up, be prepared for wind gusts and be sure that the main body and frame don't fly away by keeping your hands on the frame and main body while working.

- When extending poles or frames, make sure each section is inserted securely. Assembling the product incorrectly can lead to damage.
- When handling poles or frames, be careful not to hit or damage something around you and pay attention to your surroundings.
- After setup, secure the tent, shelter, and tarp to the ground with pegs and ropes to prevent them from being blown away by the wind.
- If the weather suddenly changes hold on to the product for as long as needed to keep it down.

■ PRECAUTIONS FOR TEARDOWN AND AFTER USE CARE

Be sure to read and understand the following contents before use to prevent harm to the user and others, and damage to property.

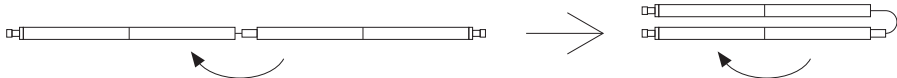


WARNING

INDICATES CONTENT THAT MAY CAUSE MINOR INJURIES OR PROPERTY DAMAGE.

- When taking down the product, be sure to have two or more people.
- Please take down the product in the reverse order of the setup. Not following the instructions properly may damage the product.
- When removing poles or frames, be careful not to hit or damage something around you and pay attention to your surroundings.

- When folding a frame or pole with a built-in cord (cord), begin folding from the center, this will reduce the wear on the bungee cord by not applying extra tension to the cord.



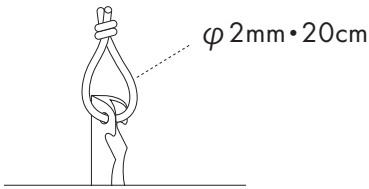
- After use, clean the fabric and allow it to dry thoroughly before storing. If it is stored with dirt or moisture uncleaned, it may cause colors to transfer or mold odors to form, and may cause the seam tape to come off and diminish its waterproofness.
- Frames, poles, and other metal parts should also be thoroughly dried before storage. If stored while moist or uncleaned, they may be damaged by corrosion.
- Salt can accelerate the deterioration of fabrics. If used near the sea, rinse with fresh water and dry well before storing.
- Use a soft towel to gently clean or wipe moisture off fabrics. Rubbing can damage the coating of the fabric.
- Do not use solvents such as paint thinners. There is a risk of delaminating or discoloration of the water-repellent finish.
- Please do not wash. It will lead to deterioration of the fabric and damage to other parts.
- Please keep out of reach of infants and children.

■ SETUP PROCEDURES

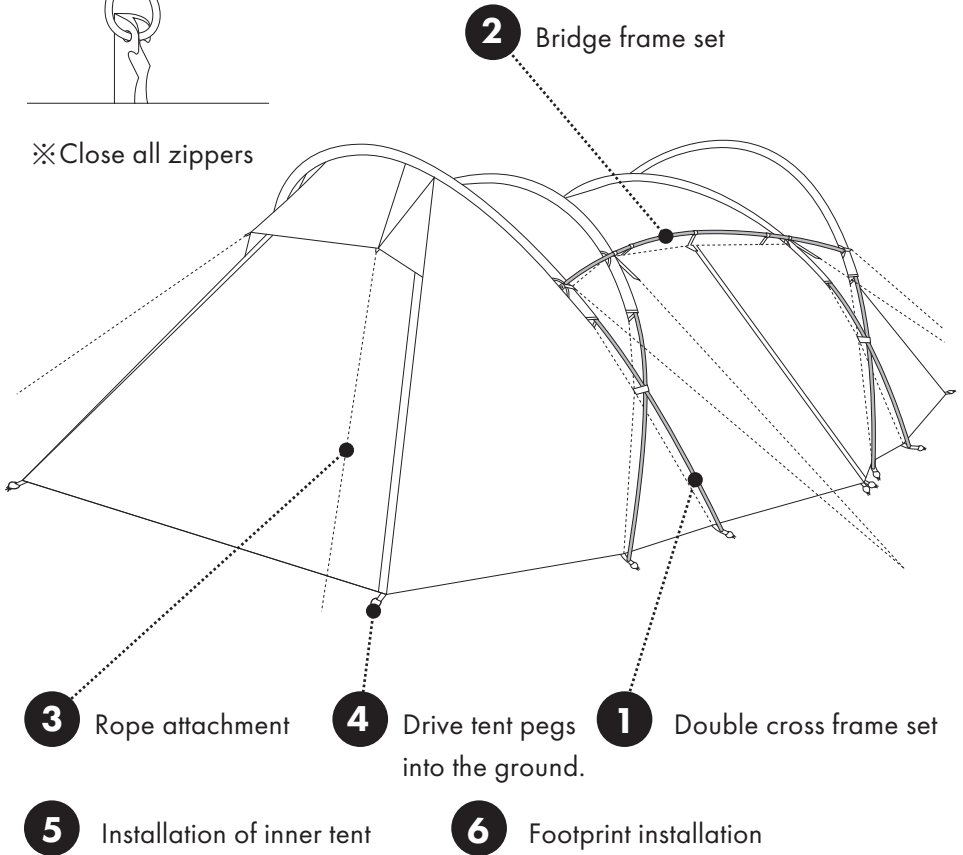
Set up according to the numerical order.

【Prepare in Advance】

※ Make a loop on pegs with commercially available rope



※ Close all zippers

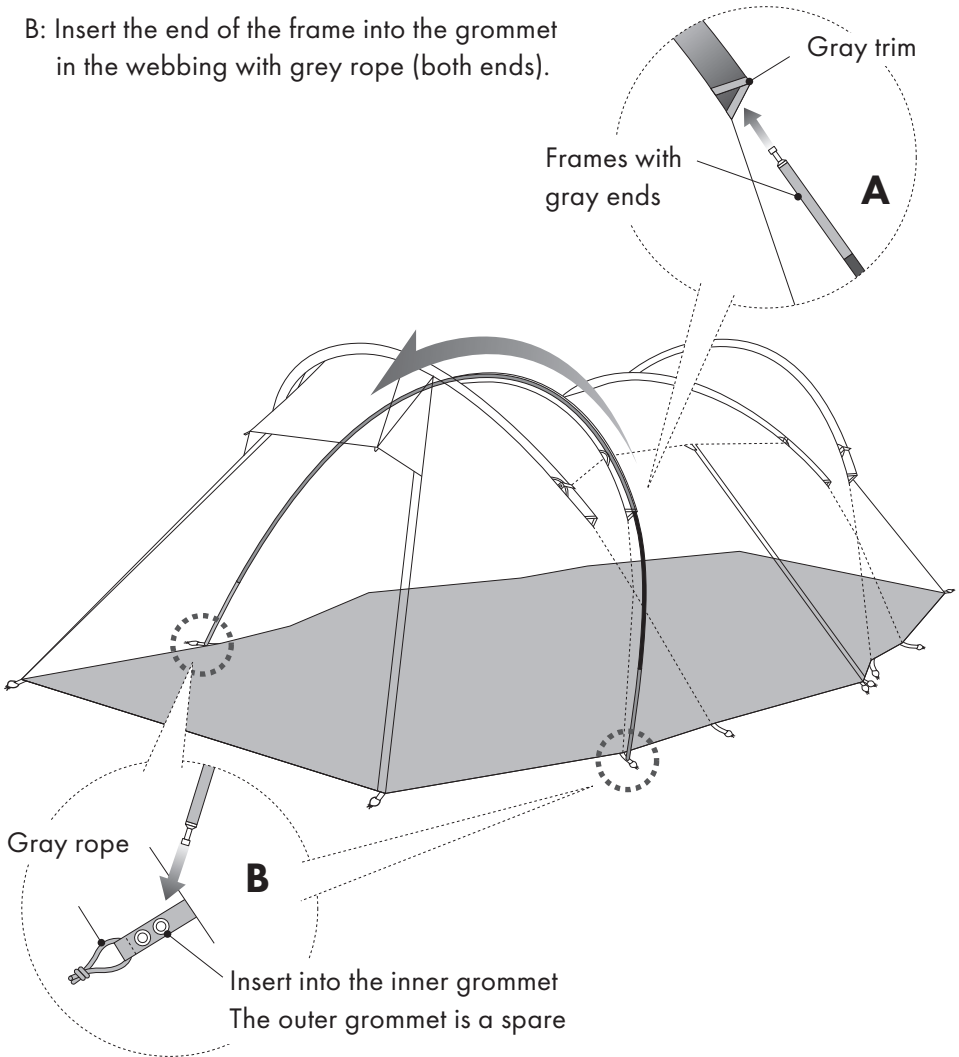


1 DOUBLE CROSS FRAME SET

Assemble all frames (6 in total)

A: Slip the gray ended frame (double cross frame (short)) into the sleeve with the gray trim.

B: Insert the end of the frame into the grommet in the webbing with gray rope (both ends).



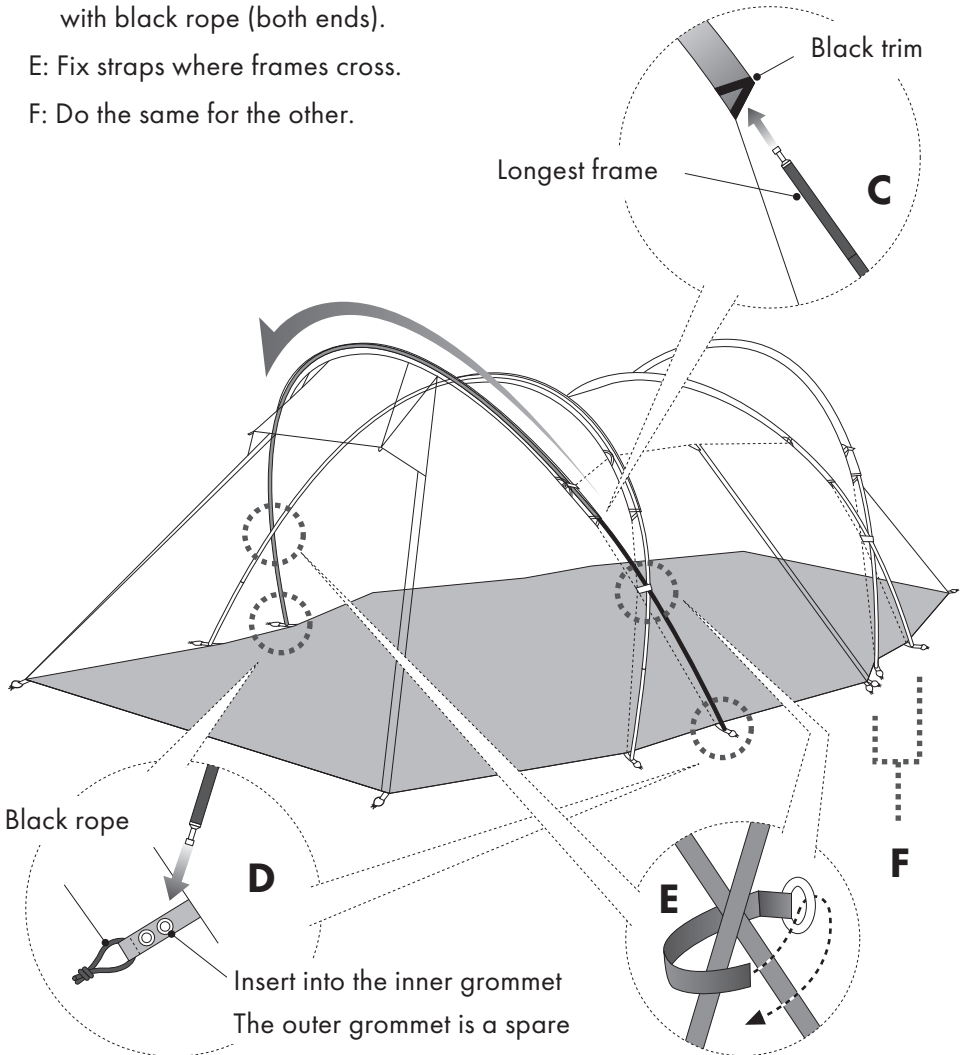
1 DOUBLE CROSS FRAME SET

C: Slip the longer frame (double cross frame (long)) into the sleeve with the black trim.

D: Insert the end of the frame into the grommet in the webbing with black rope (both ends).

E: Fix straps where frames cross.

F: Do the same for the other.



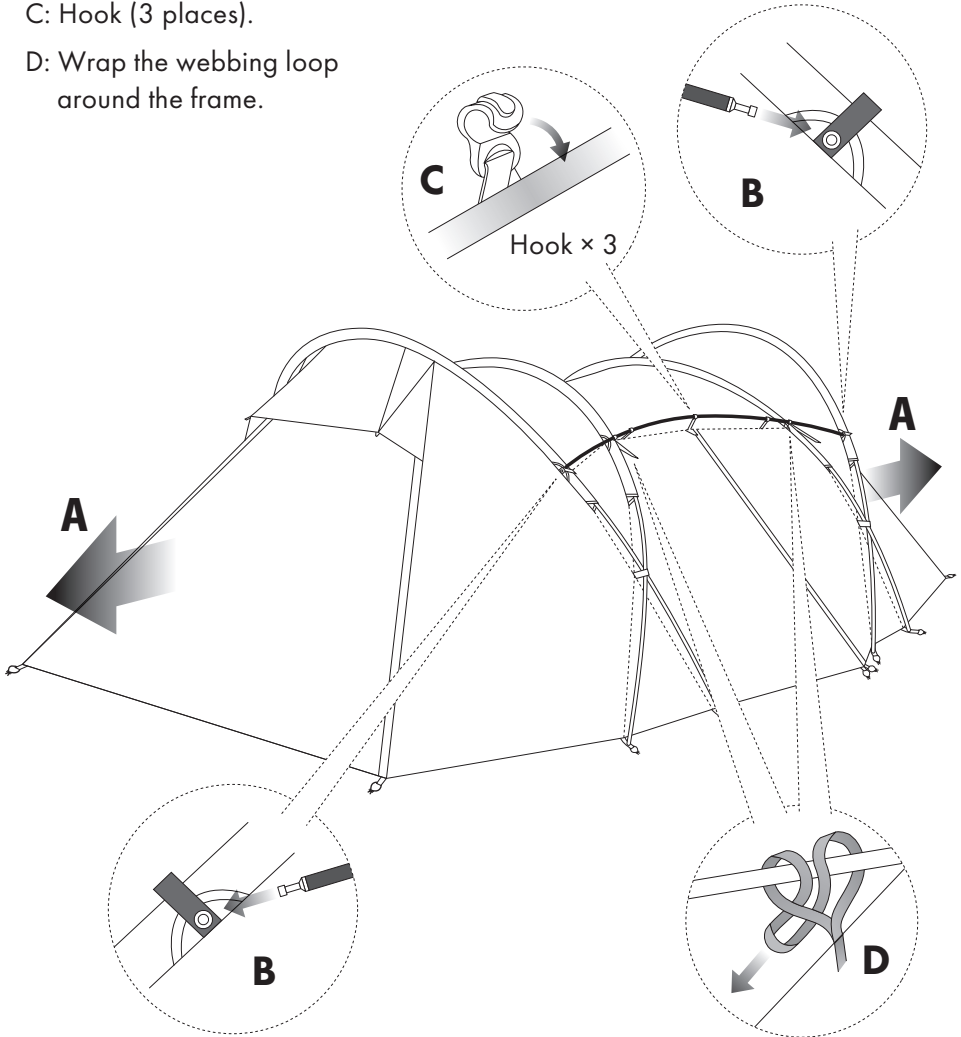
2 BRIDGE FRAME SET

A: Pull the tent body back and forth to spread it out.

B: Insert the end of the shortest frame (bridge frame) into the grommets attached to the sleeves (both ends).

C: Hook (3 places).

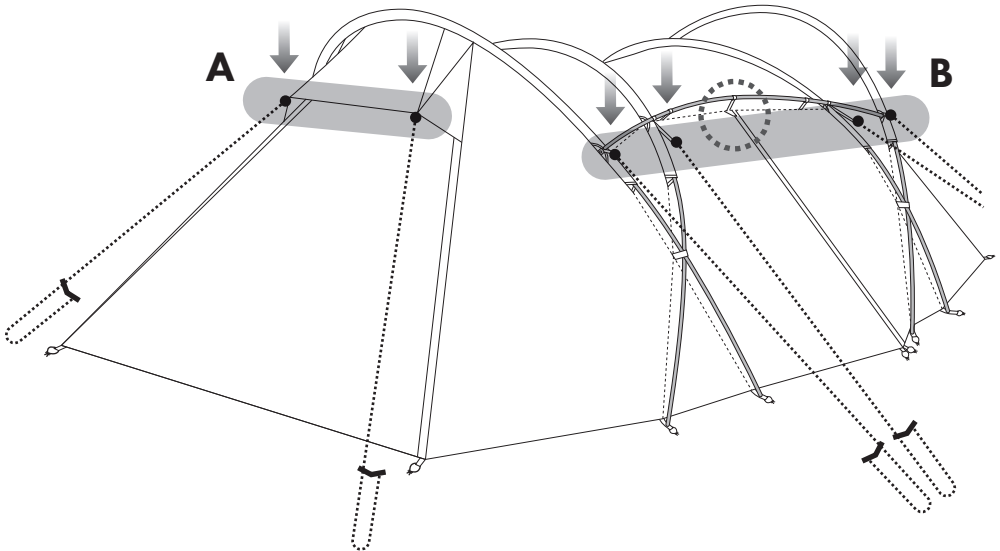
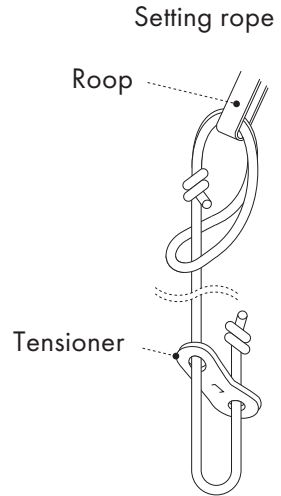
D: Wrap the webbing loop around the frame.



3 ATTACH ROPE

A: Use ropes (in 2 places) for ventilation
(same ventilation on both ends).

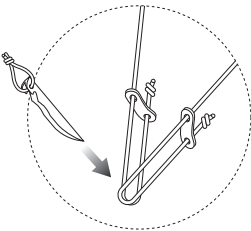
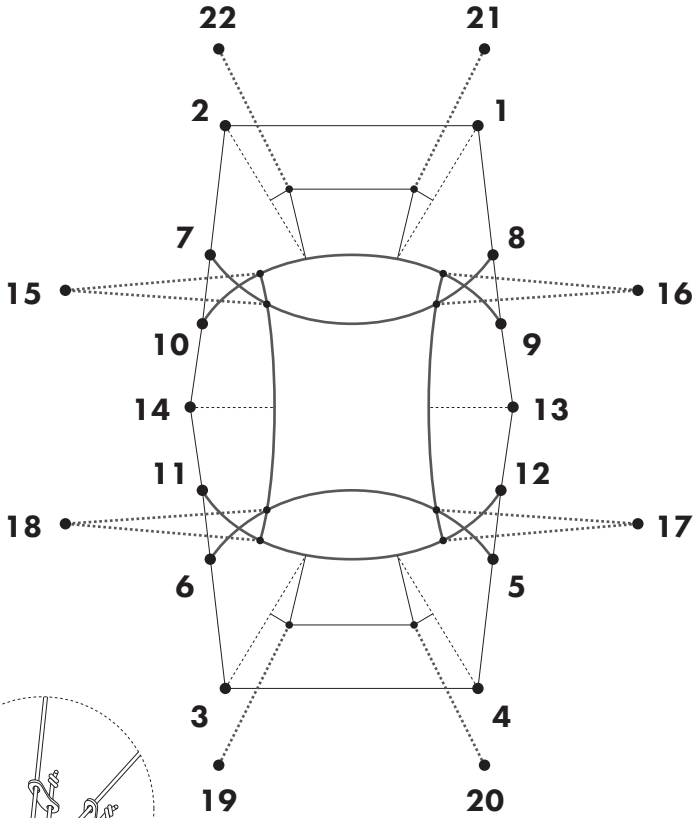
B: Attach ropes to 4 points
(attach the the same way on opposite side).



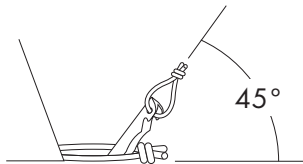
 The webbing loops inside are spare loops for use during strong winds.

4 PEG DOWN

Drive the pegs into the ground in numerical order.



Use one peg with two ropes for 15-18

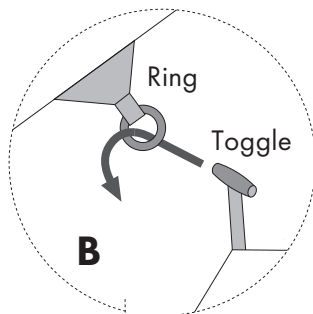


Drive pegs at 45° angle

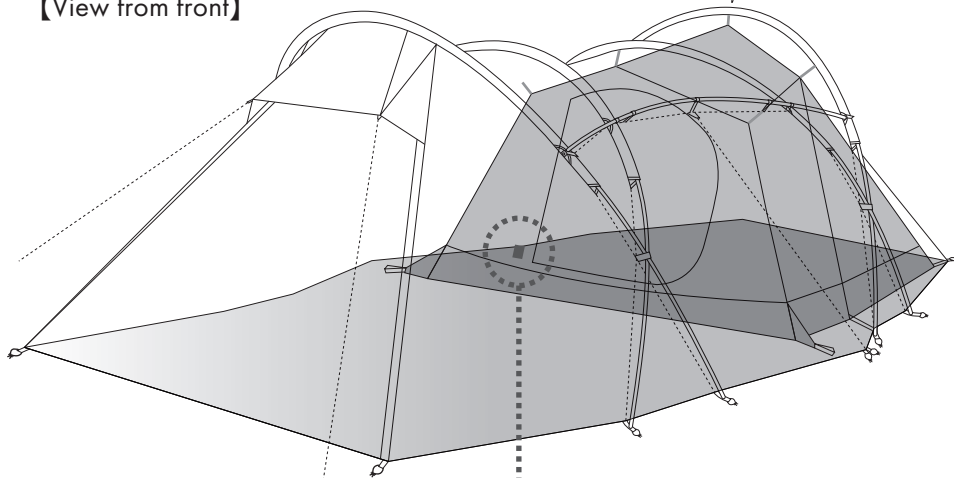
5 INSTALLATION OF THE INNER TENT (CEILING)

A: Check the front and back of the inner tent. The side with the logo near the doorway faces the room.

B: Pass the toggle on the ceiling through the O-ring of the main body and hook it (6 places).



【View from front】



A The side with the logo on should face the room

※ The main body has a symmetrical design, so it can be installed in the front or back.

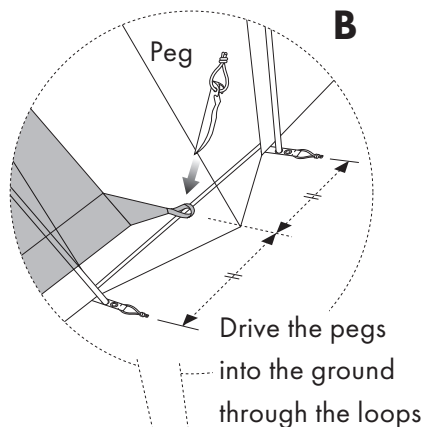
5 INSTALLATION OF INNER TENT (BOTTOM PART)

A: Pass the toggle through the O-ring of the main body and hook it (left and right).

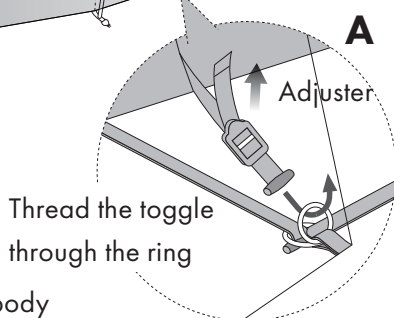
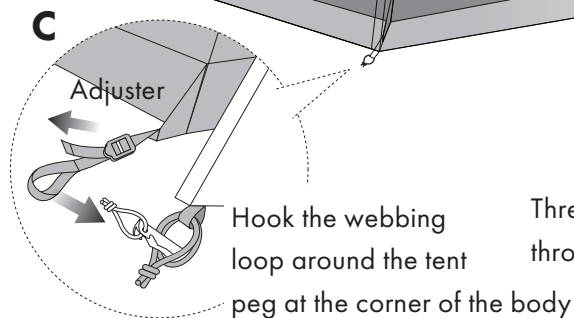
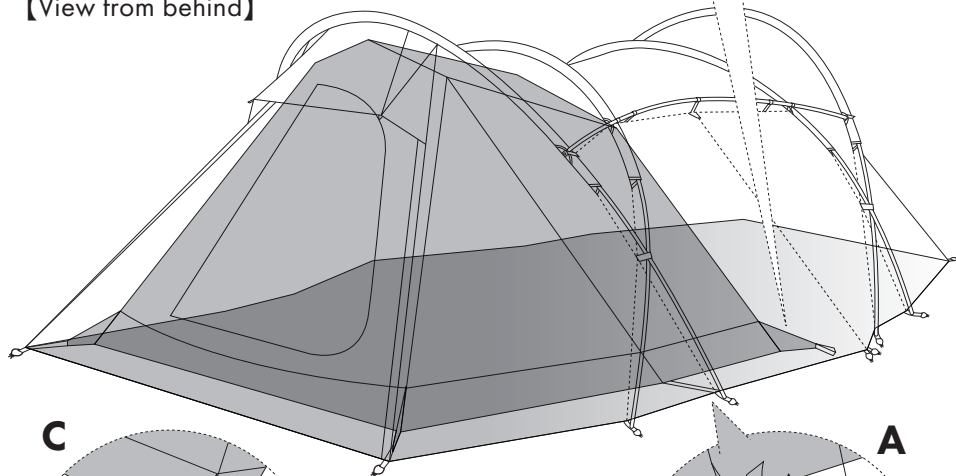
B: Drive the pegs into the ground through the loops (left and right).

C: Hook webbing loop around tent peg (left and right).

※ Adjust the tension with A and C adjusters.



【View from behind】

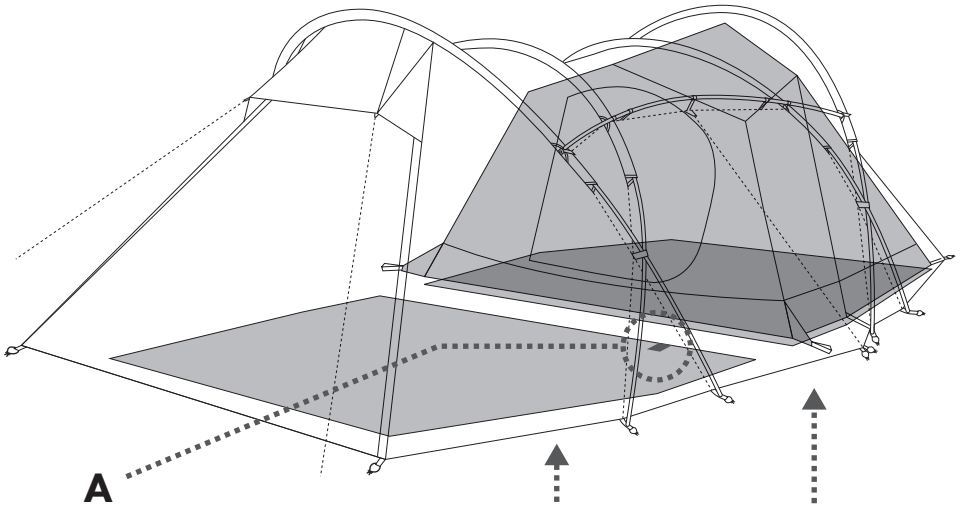
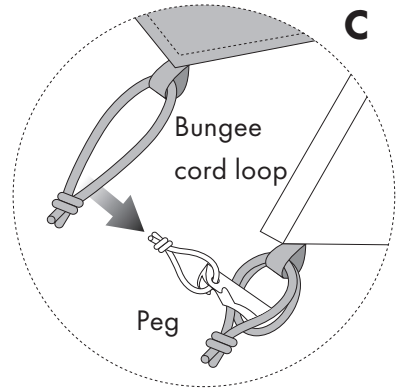


6 FOOTPRINT INSTALLATION

A: Check the front and back of the footprint.

B: When using as a protective sheet for the inner tent, install under the inner tent. When using it as a living sheet, install in the front room of the tent.

C: Hook the bungee cords to the tent pegs in the corners.



- The side with the logo is the front
- The shiny side is the top

Living sheet

Protective sheet

B

■ WARRANTY AND REPAIR

If you find any defects in the product, please contact the store where you purchased it or us directly. We will replace or repair any item found to have a manufacturing defect free of charge. We will repair products with damage caused by wear and aging at a reasonable price. Please note that it may be difficult to obtain some materials due to the discontinuation of products and parts, and repairs may not be possible based on the condition of the product.

※ When sending a product for repair, please remove dirt and moisture from the product before sending it. Moisture and dirt may interfere with repairs. Items that are not clean and dry upon arrival for repair will incur additional charges at their own expense for cleaning. Thank you for your understanding.

ZANE ARTS, Inc.

7190-2 Shimauchi, Matsumoto, Nagano 390-0851

Phone: 0263-87-2955 FAX: 0263-87-2966

info@zanearts.com