



TO-630 / COZ HOLDER 30

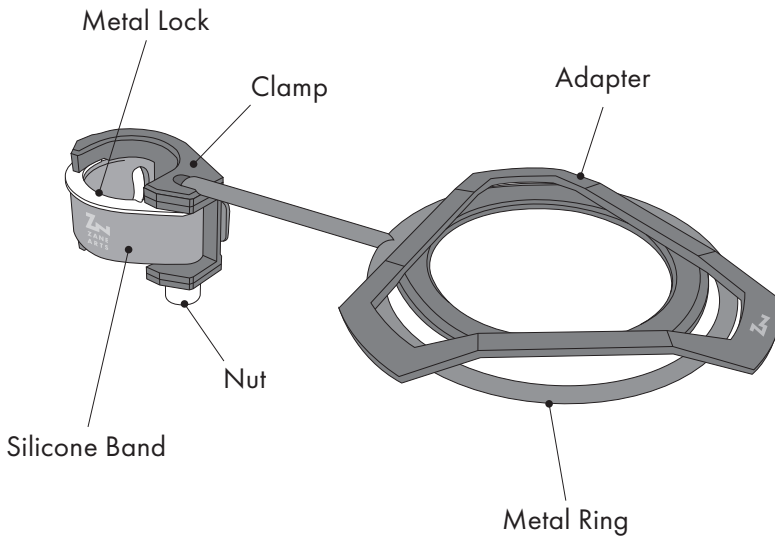
TO-632 / COZ HOLDER 32

MANUAL - Ver 1.01

EN

Please be sure to read the manual before using this product. If you have any questions or if there is a problem with the product, please contact the store where you purchased it or ZANE ARTS directly.

■ PARTS

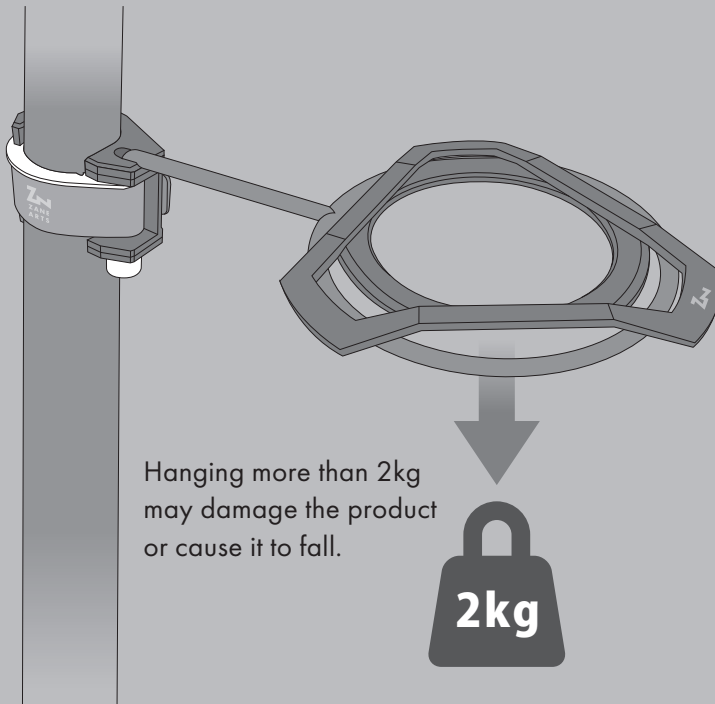


■ ABOUT THIS PRODUCT

Please familiarize yourself with this product before use.

Maximum Load 2kg

The maximum load capacity is 2kg. Please keep this in mind when stacking multiple Sierra cups or tumblers.



■ HANDLING PRECAUTIONS

Please follow these guidelines to avoid property damage and to ensure the safety of yourself and others.



DANGER

**INDICATES SITUATIONS THAT COULD
RESULT IN SERIOUS INJURY OR DEATH.**

- This product is designed to hold Sierra cups and tumblers. Do not use for none designated purposes such as hanging lanterns.
- Do not use with hot beverages. Cups with hot beverages may fall and cause burns.
- This product can hold up to 2kg in weight. Please be careful when stacking multiple Sierra cups or tumblers.
- Do not use with Sierra cups and tumblers that do not properly fit inside of the adapter or metal ring.

- Only attach this product to stable poles. If your pole is unstable, please try resetting it, or refrain from using this product.
- Attach to upright poles only. Attaching this holder to a pole set on an angle is dangerous.
- May slip or not securely attach to wet or oily poles.
- Sand or dirt on the silicone band and clamp may cause the holder to slip or not securely fix to a pole.
- Do not use in rainy or high wind conditions. There is a higher risk of the holder falling under such conditions.
- Use with appropriate poles. The holder mounted to inappropriate poles may not fasten securely and become damaged.
- Confirm the nut and silicone band are securely fixed before placing Sierra cups or tumblers in the holder.
- Inspect the connecting parts after each use. If any abnormality is found in the product immediately refrain from use.



**INDICATES SITUATIONS THAT MAY RESULT
IN MINOR INJURY OR PROPERTY DAMAGE.**

CAUTION

- After each use, wipe off any moisture and dry thoroughly before storing. If stored wet or uncleaned the product may corrode.
- Salt accelerates corrosion. When used near the ocean always wash with fresh water and dry thoroughly before storing.
- Please keep out of reach of infants and children.
- Do not modify this product, doing so may impair its performance.

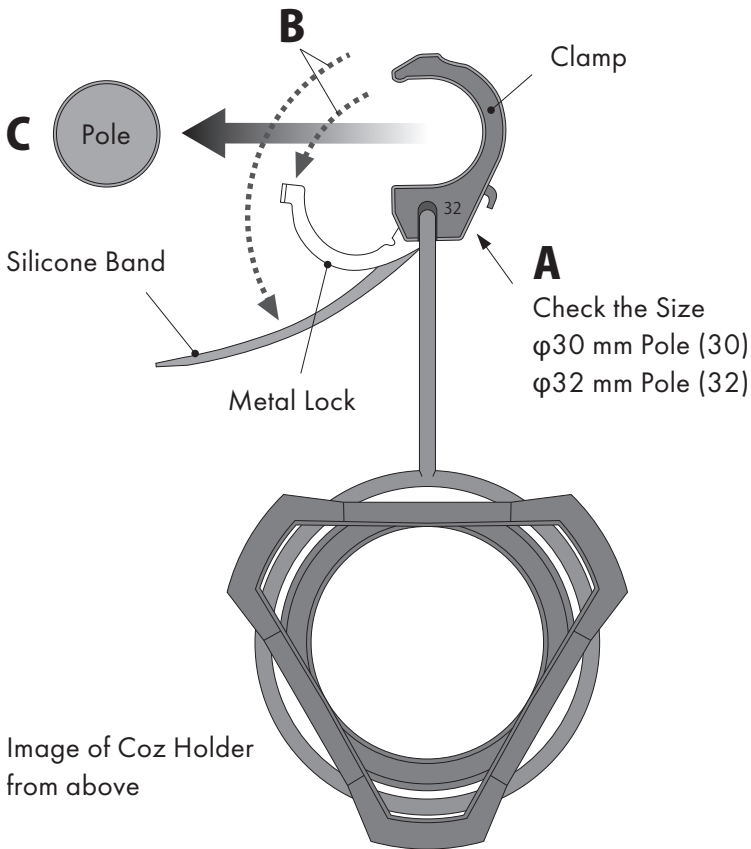
■ SETUP

1 ATTACH TO POLE

A: Check the size on the top of the clamp.

B: Open the silicone band and metal lock.

C: Attach the clamp to the pole.

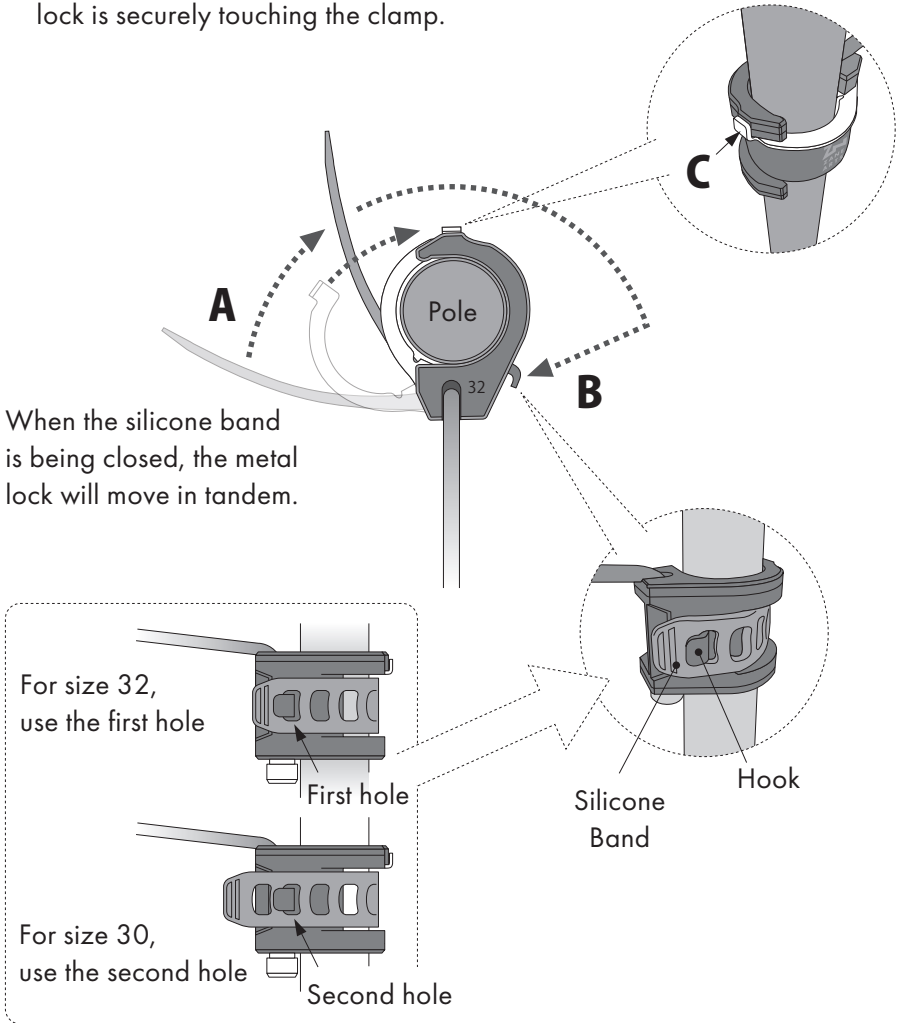


2 FASTEN SILICONE BAND

A: Wrap the silicone band around the pole.

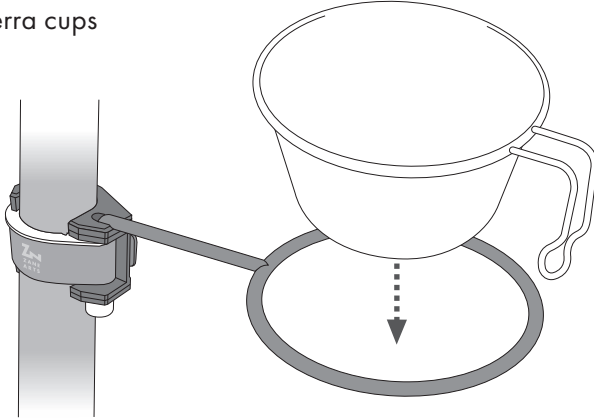
B: Lock the silicone band to the hook on the clamp.

C: Installation is complete when the metal lock is securely touching the clamp.

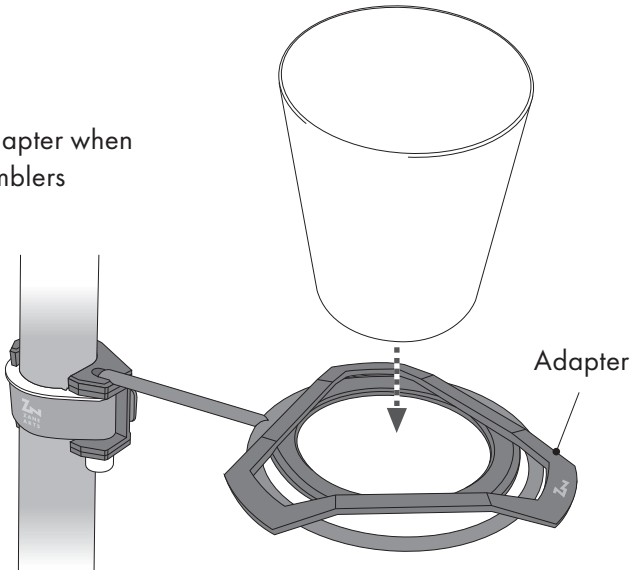


3 USE WITH SIERRA CUPS AND TUMBLERS

Remove the adapter when using with Sierra cups



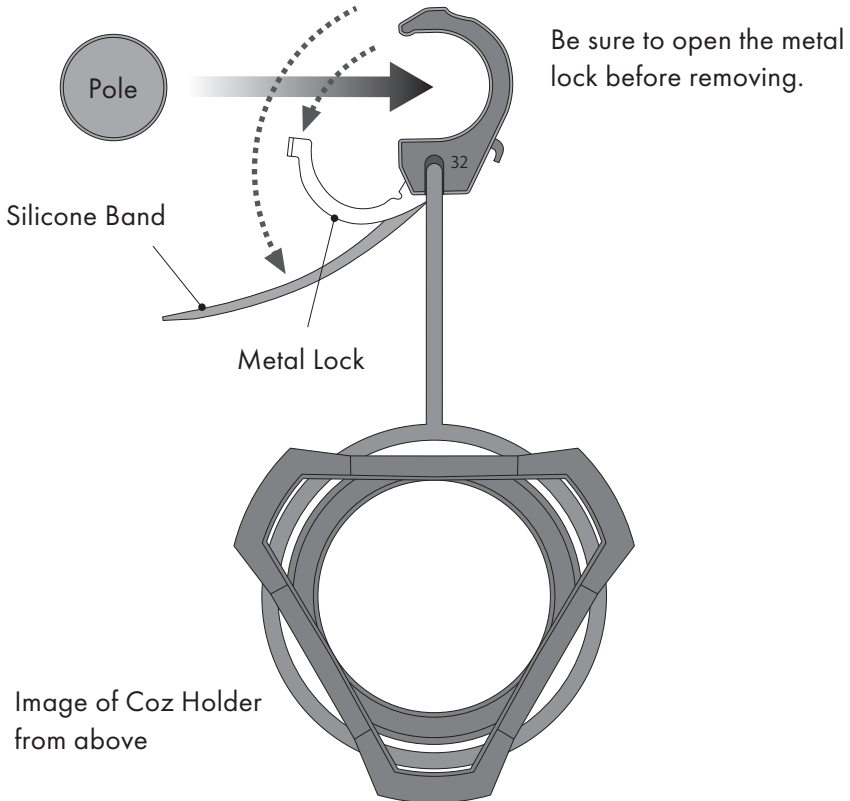
Attach the adapter when using with tumblers



■ PRECAUTIONS DURING REMOVAL

When removing the hanger from the pole, be sure to fully open not only the silicone band but also the metal clamp.

Removing the hanger while the metal lock is closed may cause the pole to be scratched or the lock to be disfigured.



■ WARRANTY AND REPAIR

If you find any defects in the product, please contact the store where you purchased it or us directly. We will replace or repair any item found to have a manufacturing defect free of charge. We will repair products with damage caused by wear and aging at a reasonable price. Please note that it may be difficult to obtain some materials due to the discontinuation of products and parts, and repairs may not be possible based on the condition of the product.

※ When sending a product for repair, please remove dirt and moisture from the product before sending it. Moisture and dirt may interfere with repairs. Items that are not clean and dry upon arrival for repair will incur additional charges at their own expense for cleaning. Thank you for your understanding.

ZANE ARTS, Inc.

7190-2 Shimauchi, Matsumoto, Nagano 390-0851

info@zanearts.com